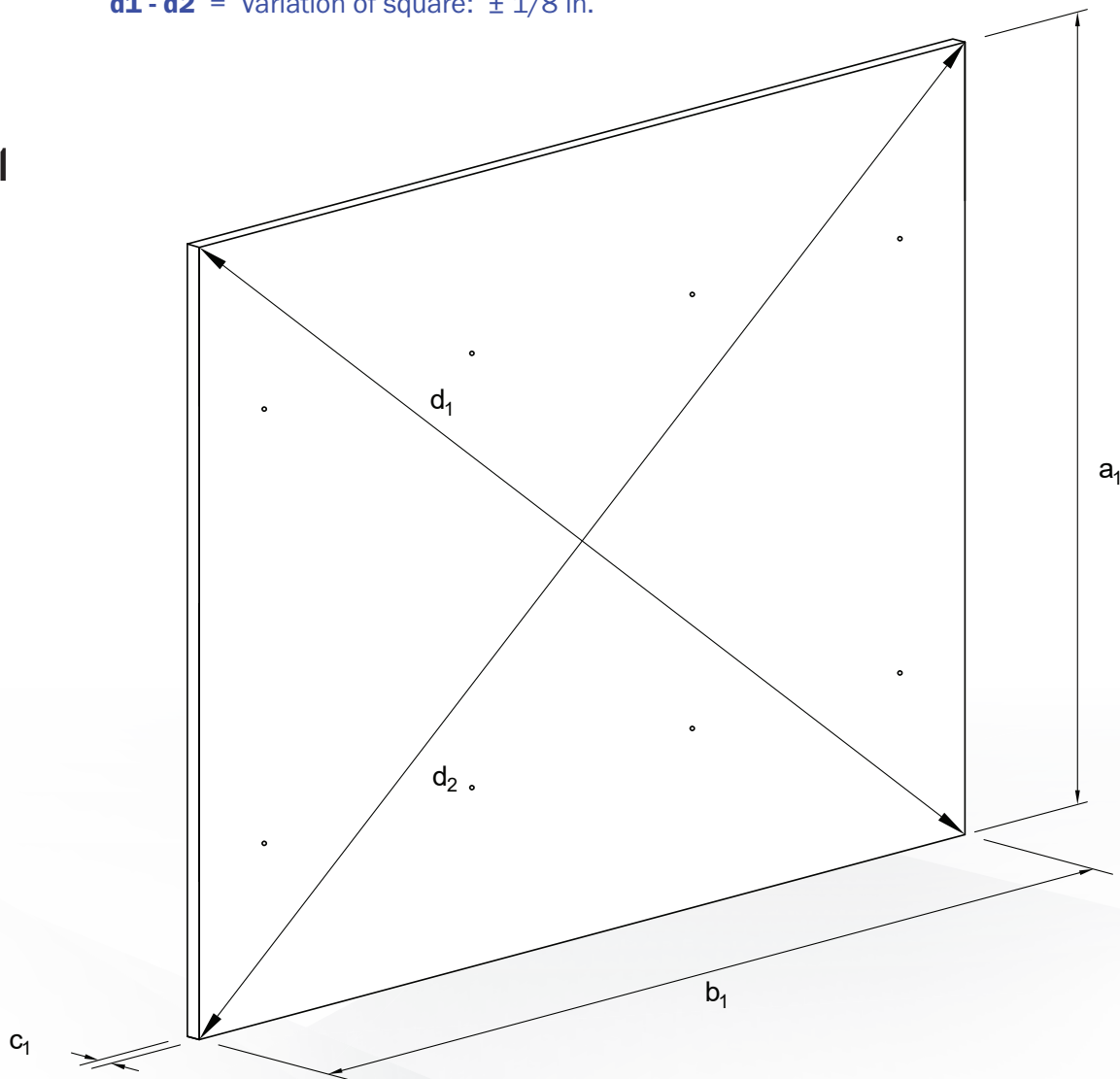


# ThinCast™

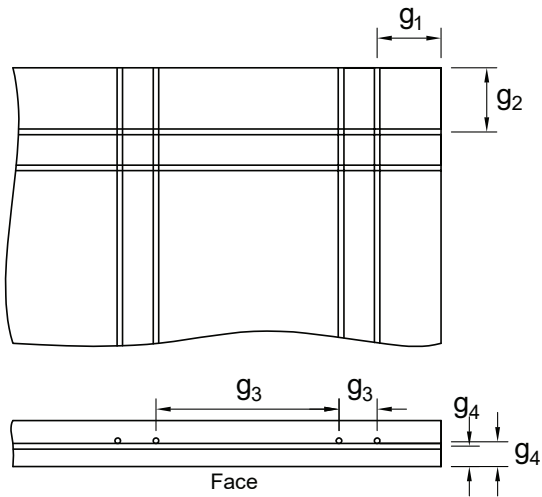
## RAINSREEN PANEL PRODUCT TOLERANCES

- a1** = Overall height of panel:  $\pm 1/16$  in.
- b1** = Overall width of panel:  $\pm 1/16$  in.
- c1** = Total thickness of panel:  $\pm 1/16$  in.
- d1** = Diagonal panel measurement
- d2** = Diagonal panel measurement
- d1 - d2** = Variation of square:  $\pm 1/8$  in.

FIG. 1



**FIG. 2**



- e1** = Position of through hole from panel edge:  $\pm 1/16$  in.
- f1** = Bowing:  $\pm L/360$  - not to exceed  $\pm 1/8$  in.
- g1** = Location of back wire to panel edge:  $\pm 1/16$  in.
- g2** = Location of face wire to panel edge:  $\pm 1/16$  in.
- g3** = Distance from wire to wire:  $\pm 1/32$  in.
- g4** = Location of face wire and back wire to face of panel:  $\pm 1/32$  in.

