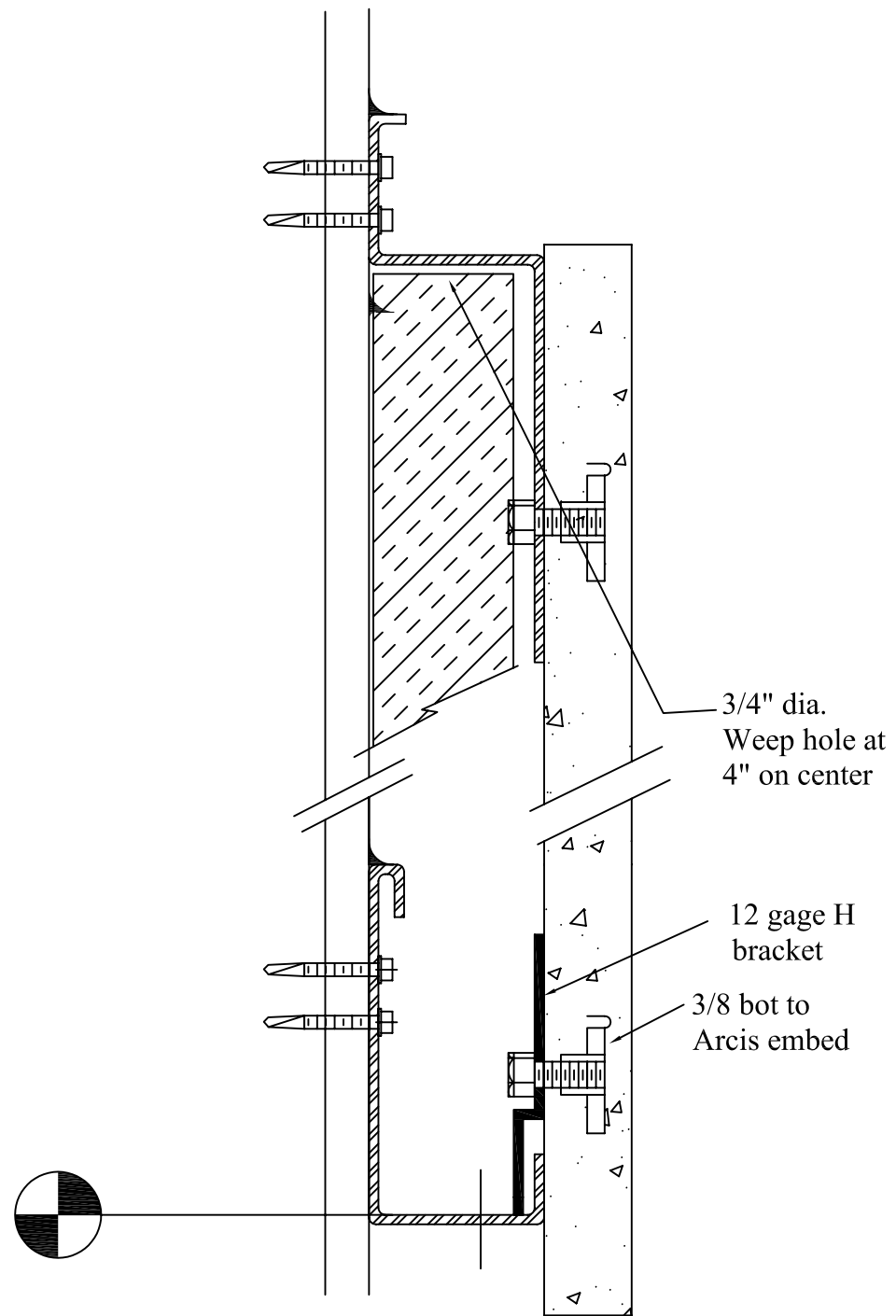


TYPICAL PRECAST CLADDING AT HORIZONTAL JOINT
 DETAILS ARE PROJECT SPECIFIC.

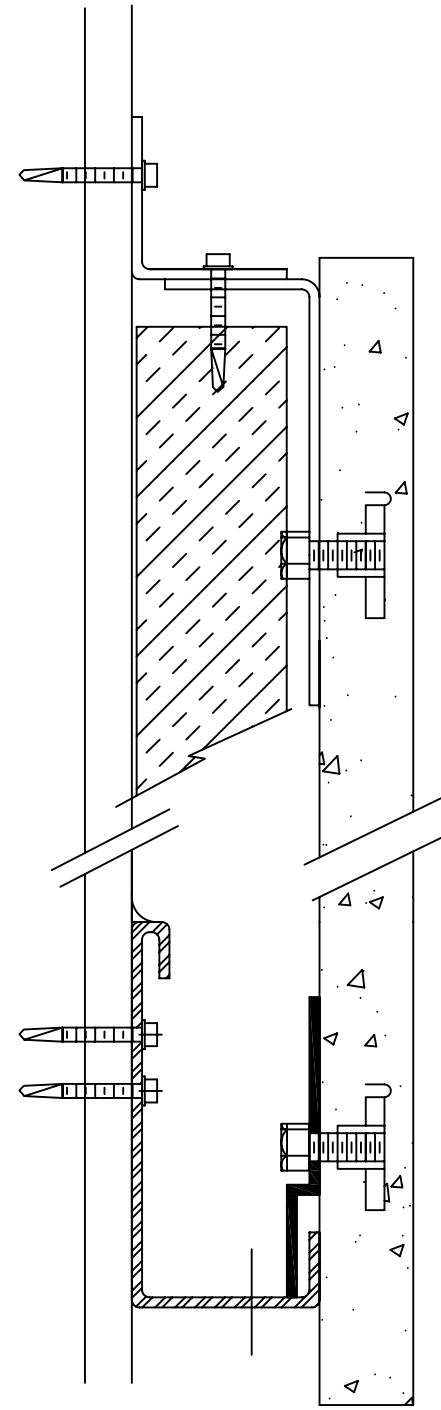


ITEM PRECAST CLADDING	
DATE 5/9/2008	
REV. 0	
BY	U.S. PATENT# 671866 CAN. PATENT# 2357834 OTHER PATENTS PENDING

DWG. NO.
WCL 1.1



○ **Section at brackets**
Top mounted



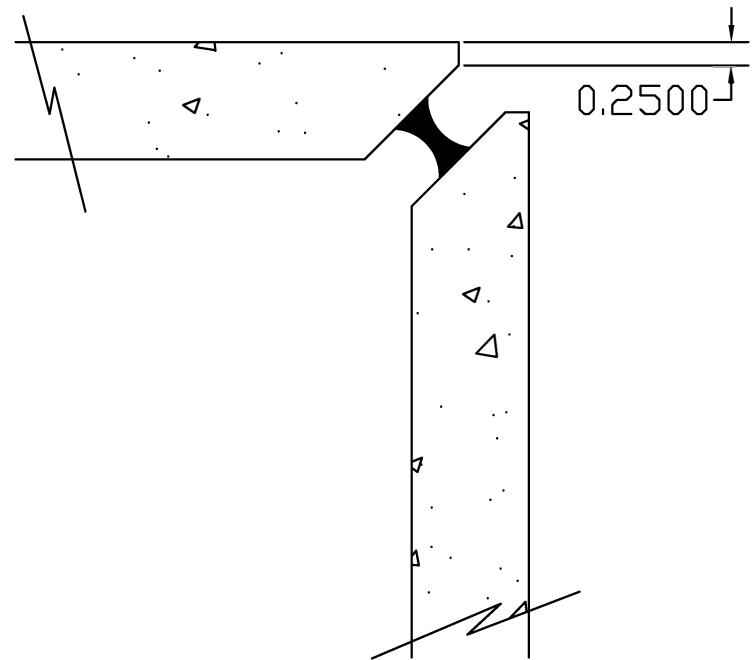
○ **Section at brackets**
Adjustable top
gravity bottom

Arcis Corp
PO Box 1250
North Plains OR
(503)674-5042

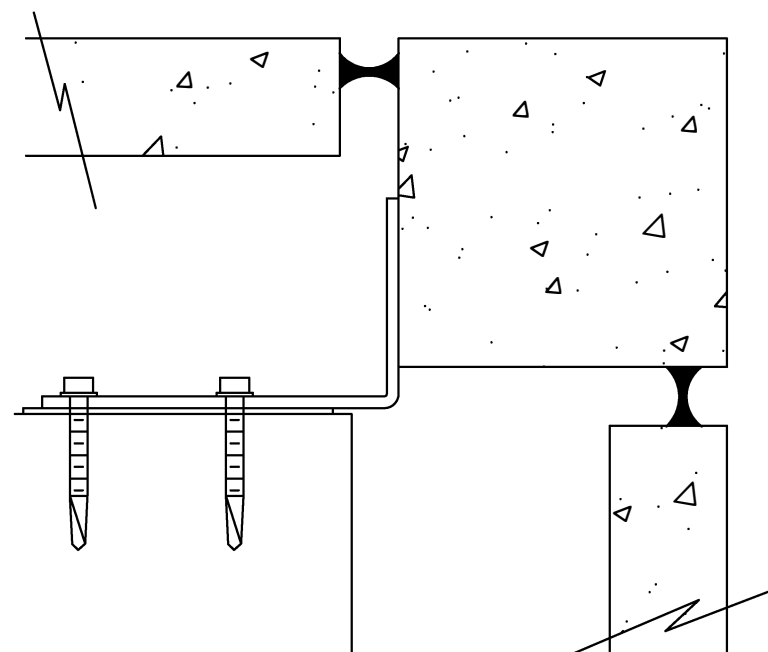
Typical Bracket Details
Precast Cladding Panels

Rev	Date
-----	------

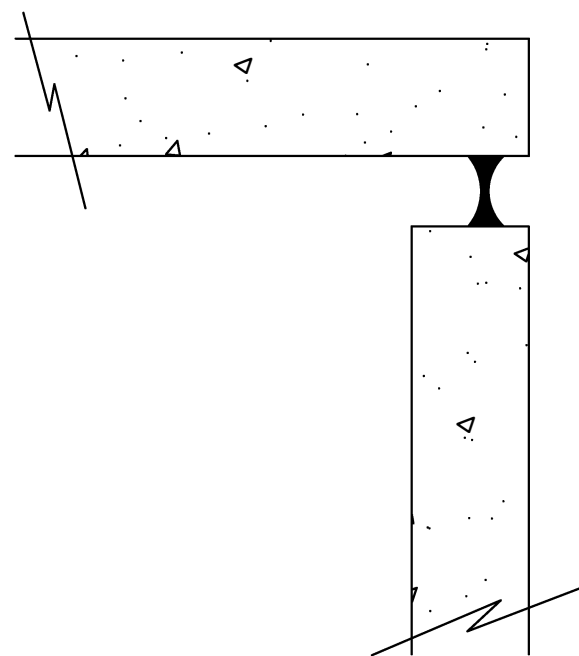
Date: 11-10-2015
By: Blount



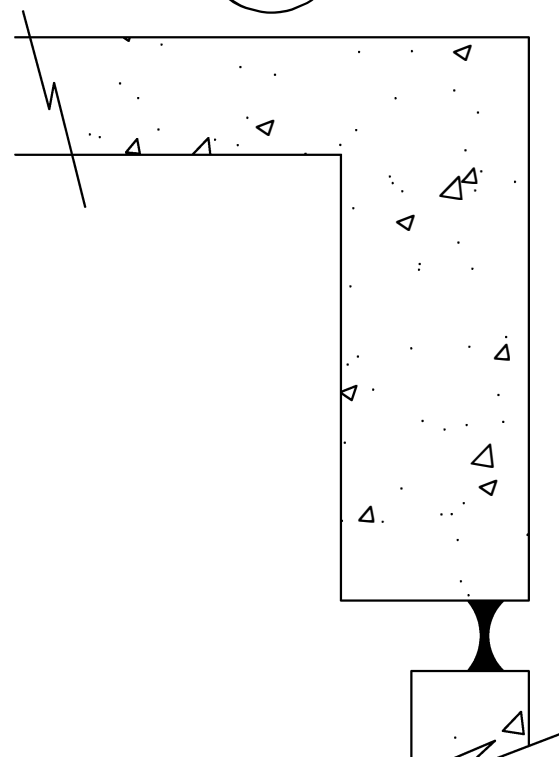
○ Miter joint



○ Corner piece



○ Square corner



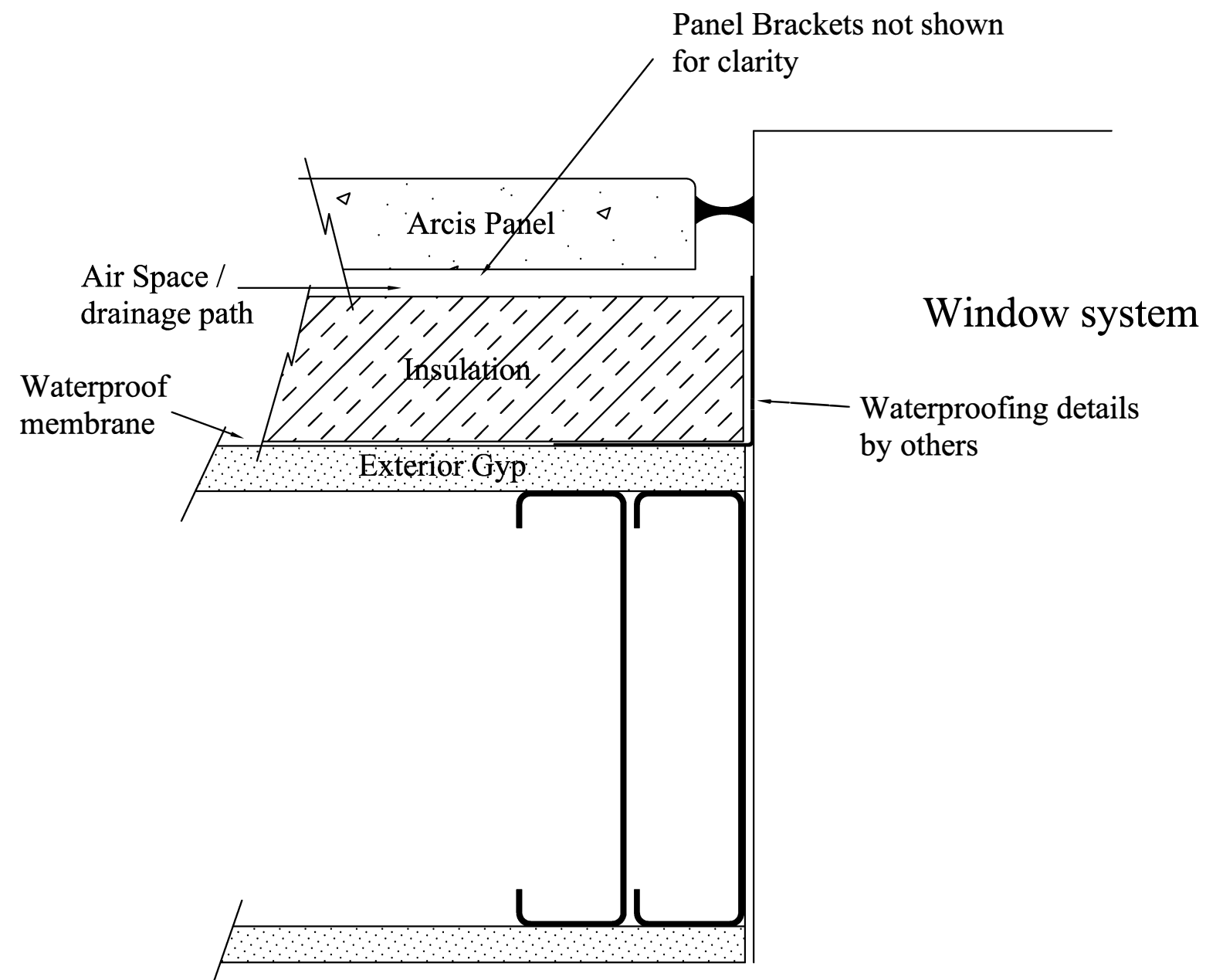
○ Panel return

Arcis Corp
 PO Box 1250
 North Plains OR
 (503)674-5042

Corner Sections
Precast Cladding Panels

Rev	Date
-----	------

Date: 11-10-2015
 By: Blount



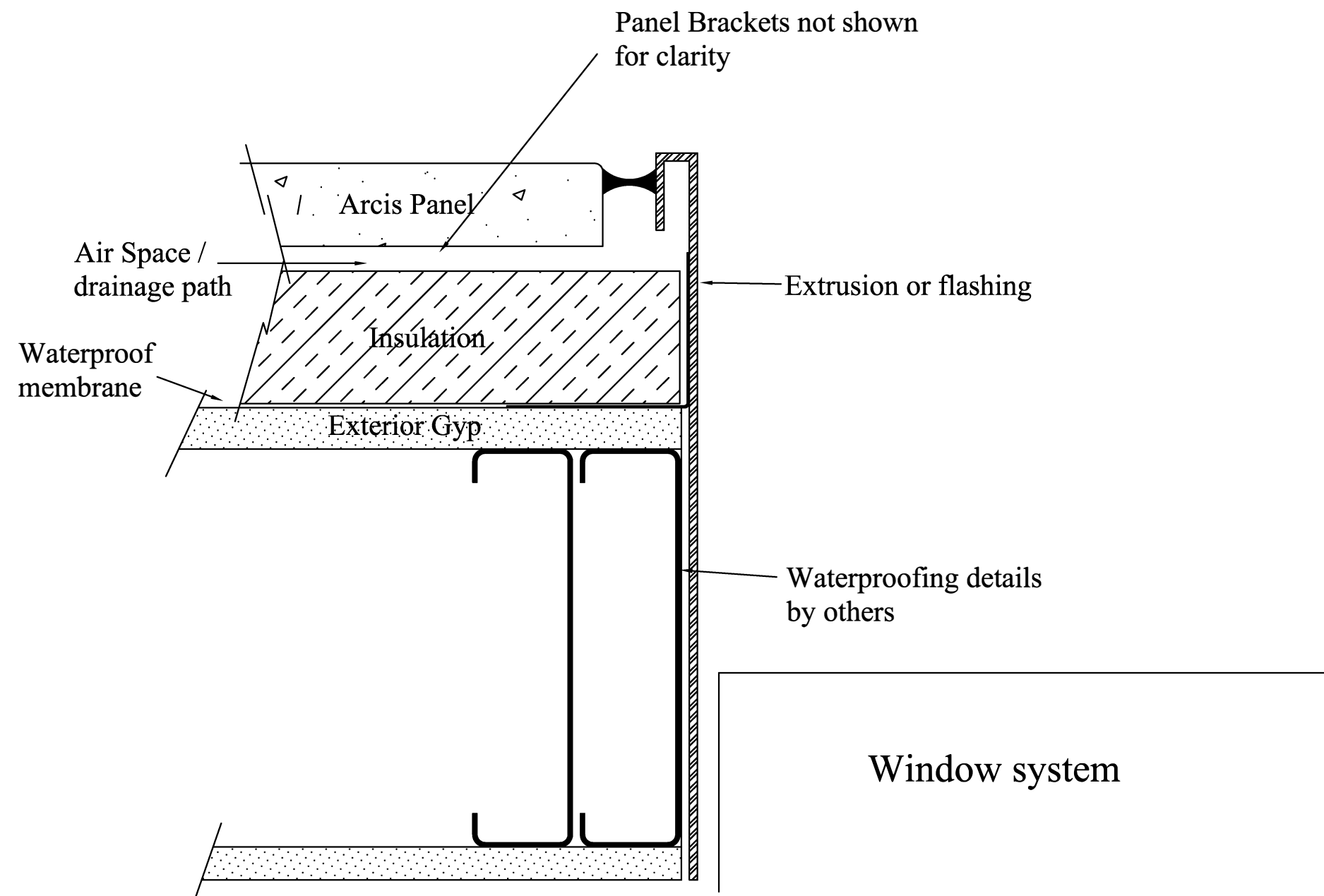
○ **Horizontal Section At Window**

Arcis Corp
 PO Box 1250
 North Plains OR
 (503)674-5042

Typical Details
Precast Cladding Panels

Rev	Date
-----	------

Date: 11-10-2015
 By: Blount



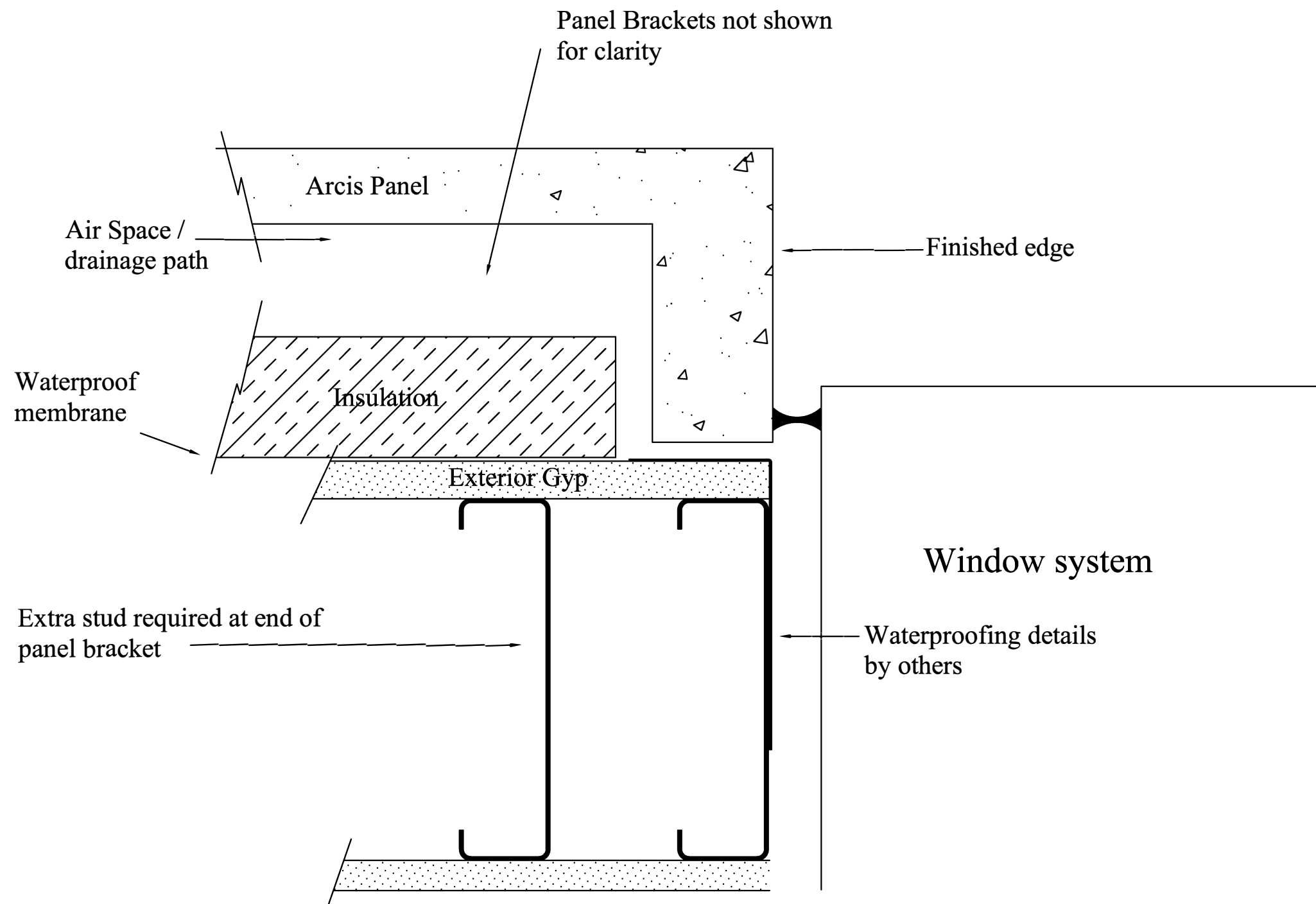
○ **Horizontal Section At Window**

Arcis Corp
 PO Box 1250
 North Plains OR
 (503)674-5042

Typical Details
Precast Cladding Panels

Rev	Date
-----	------

Date: 11-10-2015
 By: Blount



○ **Horizontal Section At Window**

Arcis Corp
 PO Box 1250
 North Plains OR
 (503)674-5042

Typical Details
Precast Cladding Panels

Rev	Date
-----	------

Date: 11-10-2015
 By: Blount